

APPLICATION:

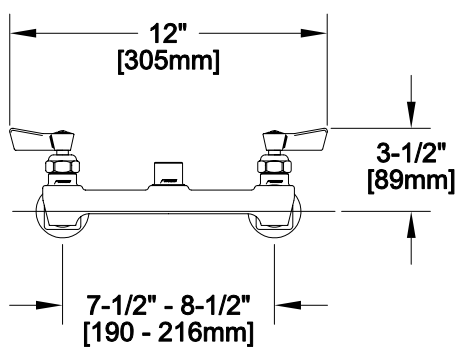
JOB NAME:

QUANTITY: ITEM NO.

PRODUCT NAME:
8" ADJ. WALL CONTROL VALVE
WITH FEMALE OUTLET

_____ SPECIAL CONFIGURATION
CHECK BASE MODEL AND OPTIONS

MODEL:
■ 2200-CV



OPTIONS OR MODIFICATIONS:

SUPPLY LINES (24" OR 36") CIRCLE LENGTH

NIPPLES

ELBOWS

HANDLES (CROSS OR WRIST) CIRCLE STYLE

VANDAL RESISTANT KIT

OTHER _____

FEATURES

CONTROL VALVE

- * ECCENTRICS ADJUST FROM 7-1/2" TO 8-1/2"
- * INTERNAL SPRING LOADED CHECK VALVES
- * SWIVELLING SEAT DISKS
- * HOT SIDE STEM - RIGHT HAND
- * COLD SIDE STEM - LEFT HAND
- * STAINLESS STEEL SEATS
- * STAINLESS STEEL SEAT SCREWS
- * STAINLESS STEEL HANDLE SCREWS

SYSTEM LIMITS

- * TEMP: 40°F MIN. TO 140°F MAX.
- * PRESSURE: 200 PSI MAX. STATIC
- * 2.20 GPM @ 80 PSI

SHIPPING WEIGHT

- * 4.0 LBS

ROUGH-IN:

